

This document lists the function of oil service about NISSAN. Welcome your back information to us, then we will also update this text and provide more vehicle information.

NISSAN MICRA K12 FROM 2005



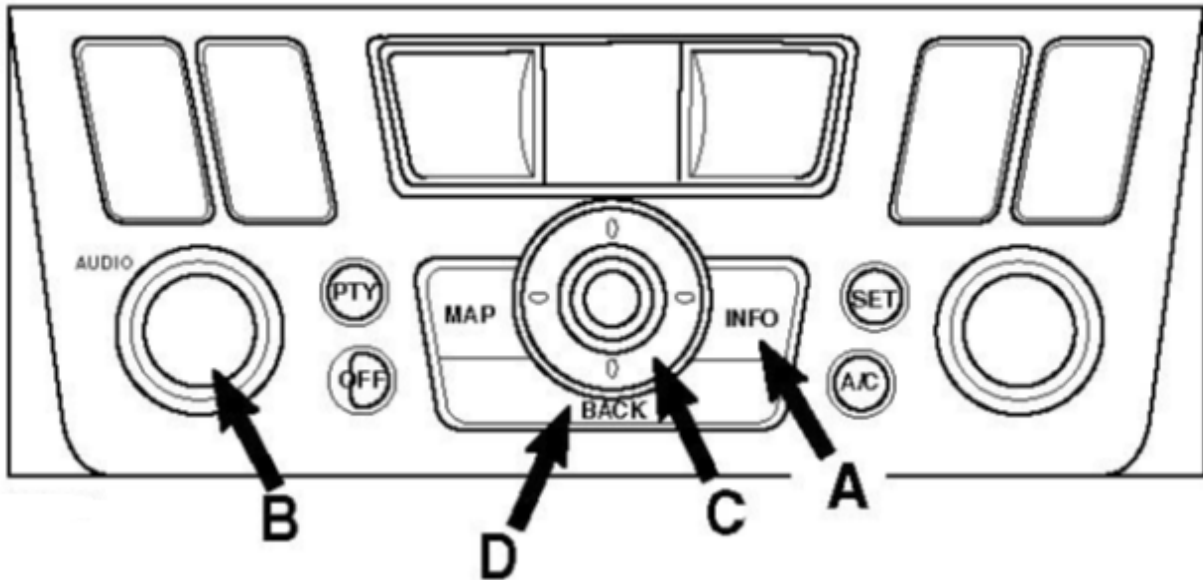
1. Switch the ignition ON
2. Press and hold pressed the button (A) for 3 seconds
3. The symbols of the distance remaining and the “service key” start to flash
4. Push the button (A) several times until the distance for the next oil service is correct
5. Wait for 5 seconds
6. The service is resetted

NISSAN MICRA K12 UP TO 2005

- 1 Switch the ignition ON
- 2 Scroll the menu on the display
- 3 Select the item “MAINTENANCE”
- 4 Select “SERVICE”
- 5 Press OK for 10 seconds
- 6 Select “SET NEXT”
- 7 The display will show now the distance for the next service
- 8 Press MENU
- 9 The service is resetted

End.

NISSAN ALMERA (From 2000 up to 2002)



Switch the ignition ON

Switch ON the radio

Start the engine

Switch OFF the radio

Press and hold the button INFO (A)

Rotate the knob of the volume (B) of 30 clic until will be displayed the menu of Self-diagnosis and a warning alert will be heard

Release the (A) button

Using the command switch (C) select Confirm/Correction and then press Enter pushing the command switch (C) down side.

Select Maintenance and press Enter

Push the button back (D) to return to the main menu

Switch OFF the Key.

End.

NISSAN INTERSTAR (From 2003 up to 2006)

With on board computer

Switch the ignition ON


Within 10 seconds push and hold completely the accelerator pedal

Push and release the brake pedal 3 times

The symbol of the "key" will switch OFF

NOTE:

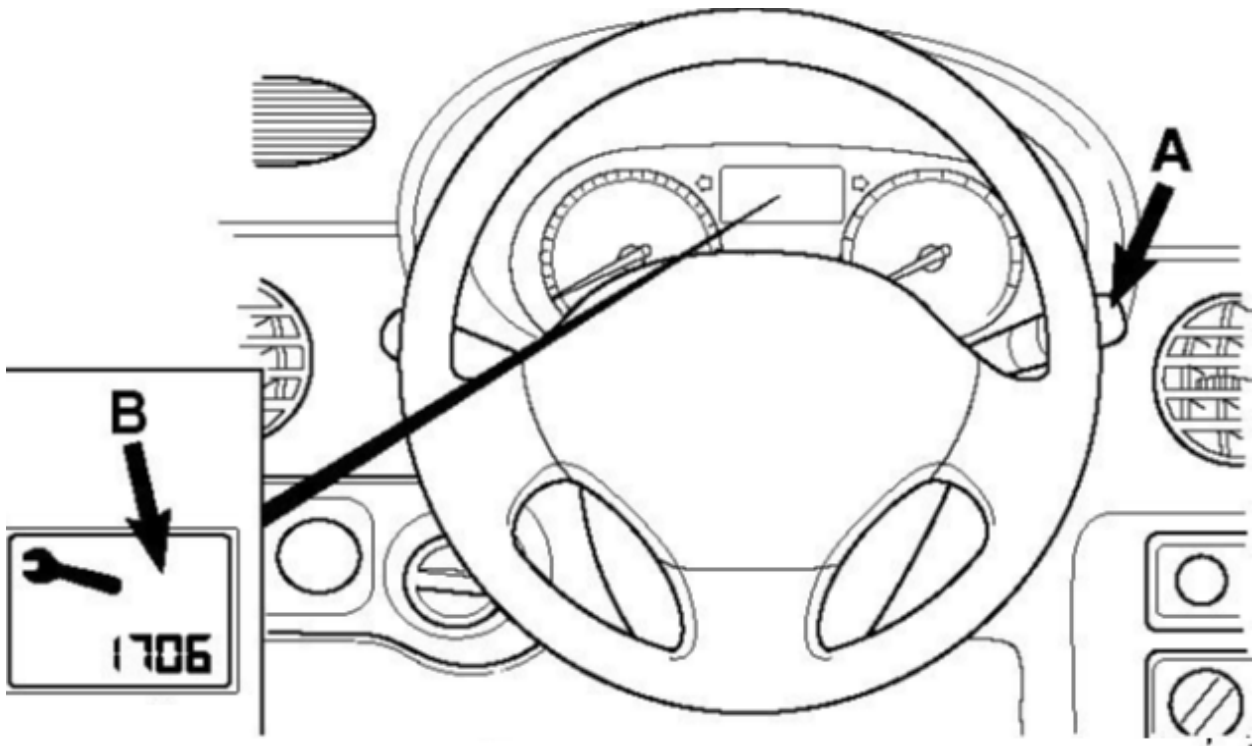
If you want to reset the oil service before the service warning light will be displayed, carry out the setting

procedure. The "key" symbol  will be displayed for 5 seconds to confirm the setting.

Remember to check always the engine management DTC page because if there is any DTC the oil service warning light could not switch off.

End.

NISSAN CUBISTAR (From 2003 up to 2009)



Switch the ignition to ON

Press the switch (A) until the symbol of the “key”(B) will be displayed.

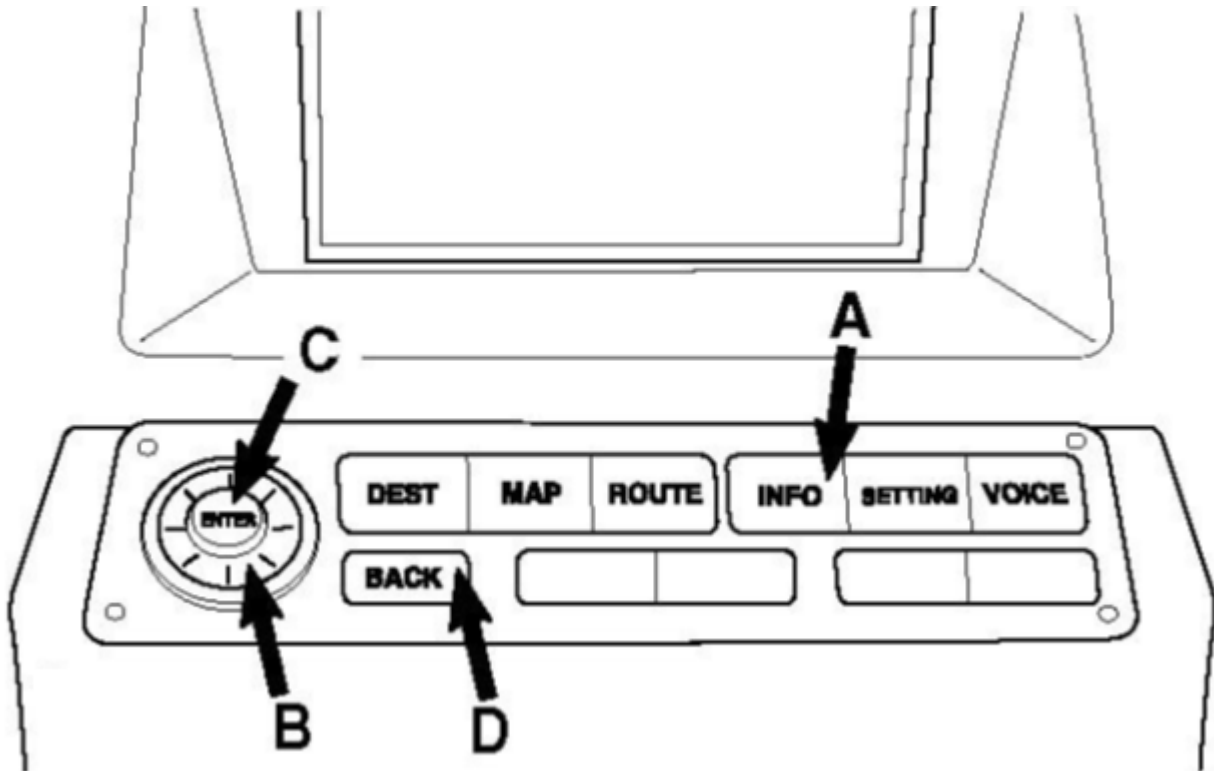
Press and hold the button (A) until the symbol (B) flashes and the residual distance for next service will be displayed on the dashboard.

The new interval for oil service will flash for 2 seconds and it will remain on the display.

Switch OFF the ignition

End.

NISSAN MURANO (From 2005 up to 2008)



Switch the ignition ON

Press the button (A) twice to display "MAINTENANCE INFORMATION"

Select "Reminder 1" (2 or 3) with the joystick (B) and press the button (C) to confirm.

Using the joystick (B) set the distance for the next oil service.

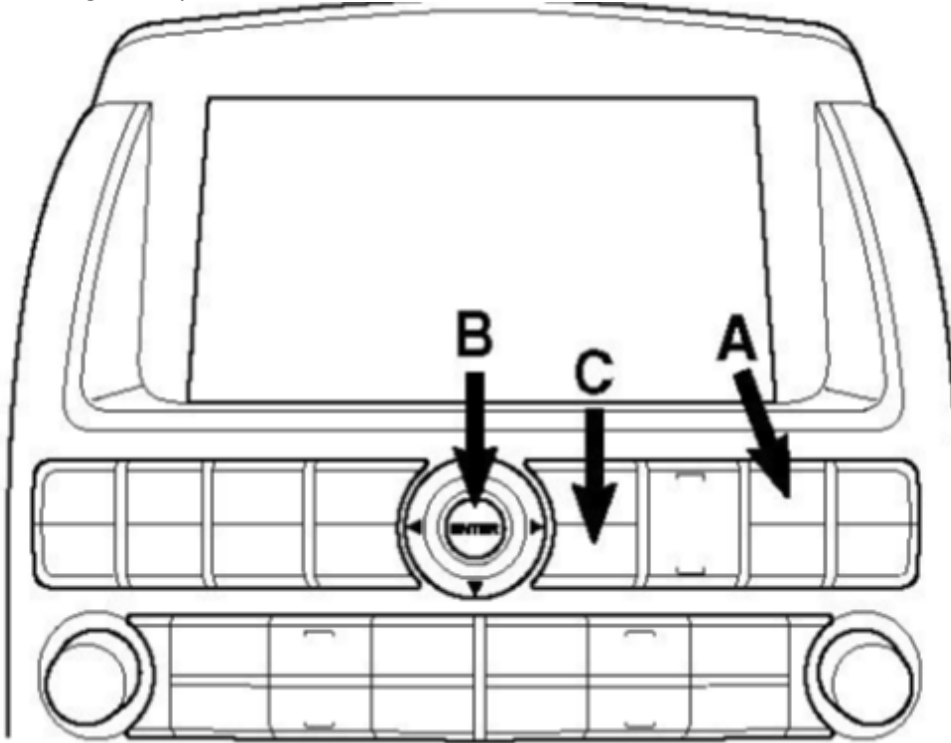
Select "Reminder Information Display" and press the button (C) to confirm

Press the button (D) to return to the main menu.

Switch OFF the ignition

End.

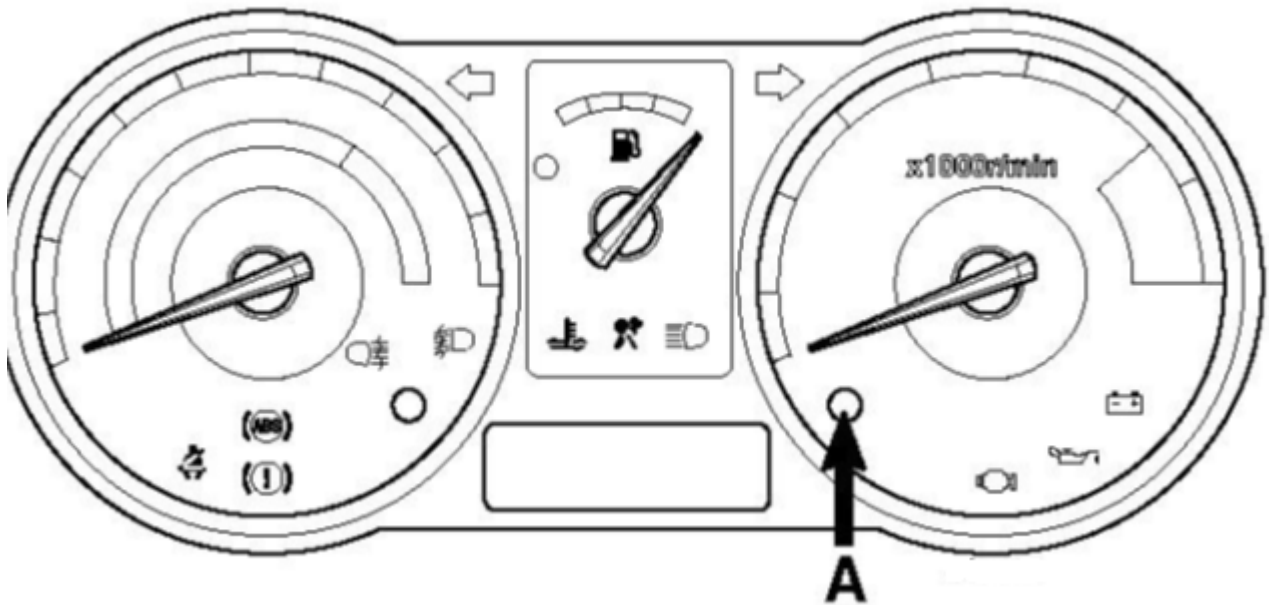
NISSAN NAVARA PICK-UP (From 2005 up to 2010)
With Navigation system



Switch the ignition ON
Push several times the button (A) to display "Information>Maintenance"
Select "Reminder 1 (2,3, or 4) with the joystick (B)
Press the button (B) "Enter"
Using the joystick (B) set the distance to the next maintenance
Select "Interval Reminder" and then press "Enter" (B)
Press the button (C) to return to the main menu.
Switch the ignition OFF

End.

NISSAN NOTE (From 2006 up to 2011)



Switch the ignition to ON.

Within 10 seconds:

Press and hold the button [A] for at least 3 seconds.

The oil service warning light will flash.

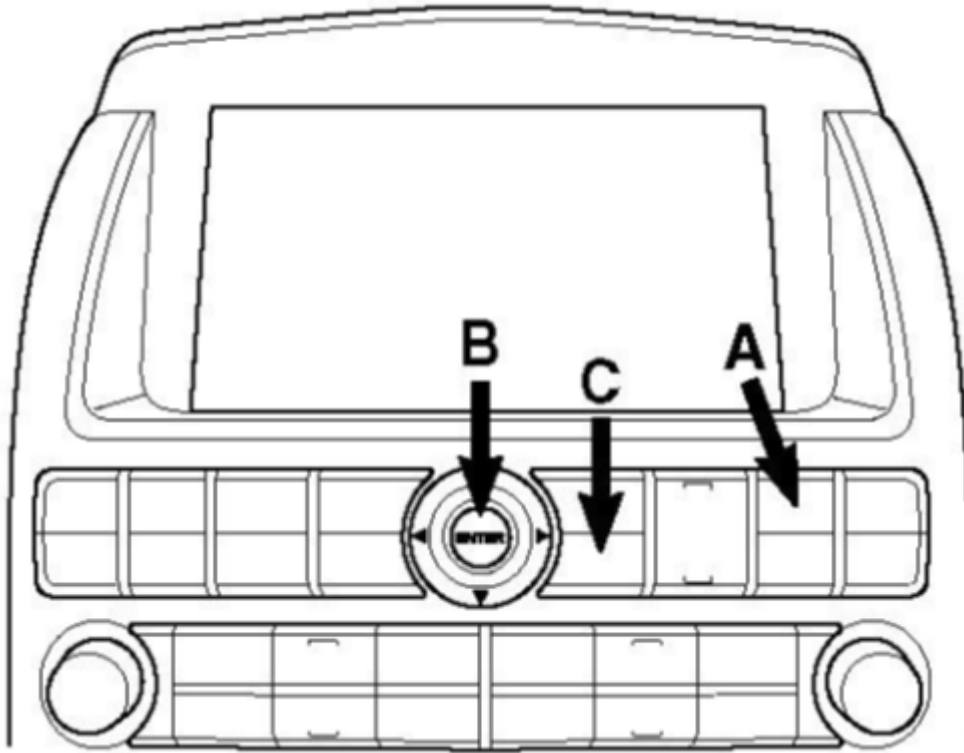
Press several times the button [A] to set the distance remaining for the next oil service (1000-63000 km).

Release the button [A].

Wait at least 5 seconds and then switch the ignition to OFF.

End.

NISSAN PATHFINDER (From 2004 up to 2010)
With Navigation system



Switch the ignition to ON.

Press several times the button [A] until will be displayed the following info: "Information >Maintenance"

Select "Reminder 1" (2, 3 o 4) with the joystick [B].

Press the button [B] "Enter".

Using the joystick [B] set the distance remains to the next oil service.

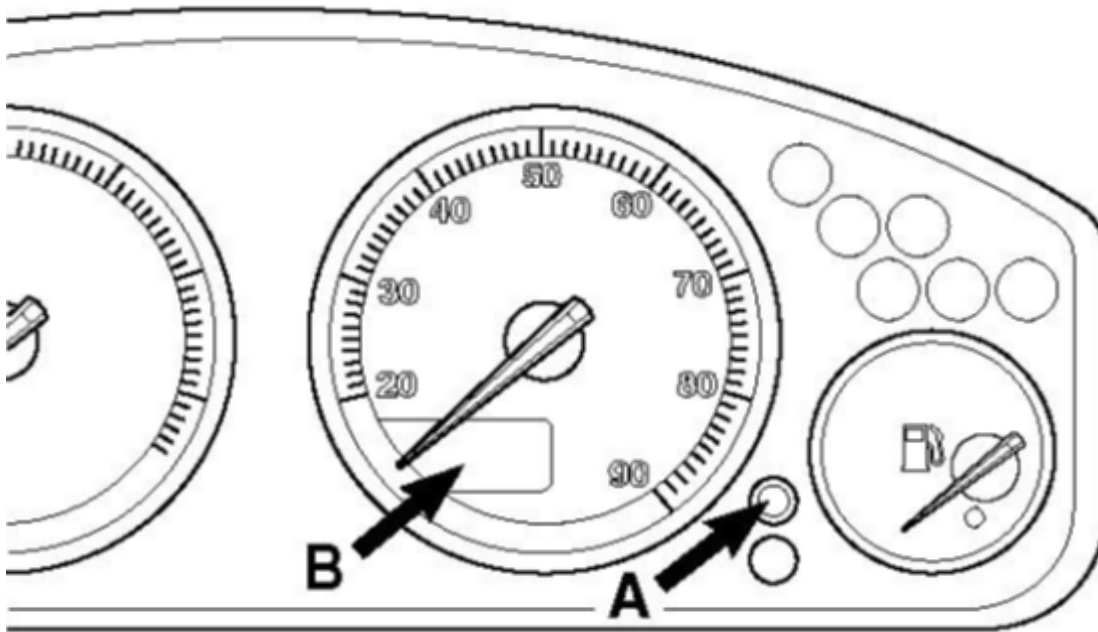
Select "Interval Reminder" and press the button "Enter" [B].

Pressthe button [C] to ri-enter to the main menu.


Switch the ignition OFF.


End.

NISSAN PATFINDER (From 2004 up to 2010)
Without navigation



Switch the ignition ON.

On the display [B] will be displayed the symbol  .

Within 5 seconds: Press and hold the button [A] until the the symbol  will flash.
Rotate the button [A] in the clockwise to increase the distance for next oil service (1.000-40.000 km).

Rotate the button [A] in the anti-clockwise di reduce the distance for the next oil service (40.000-1.000 km).

Release the button [A].

Wait 5 seconds.

Switch the ignition to OFF.

End.

NISSAN PRIMASTAR (From 2002 up to 2006)

Switch the ignition to ON.


Within 10 seconds:

Press and hold completely the accelerator pedal.

Press and release the brake pedal for 3 times.

The symbol  will go OFF.

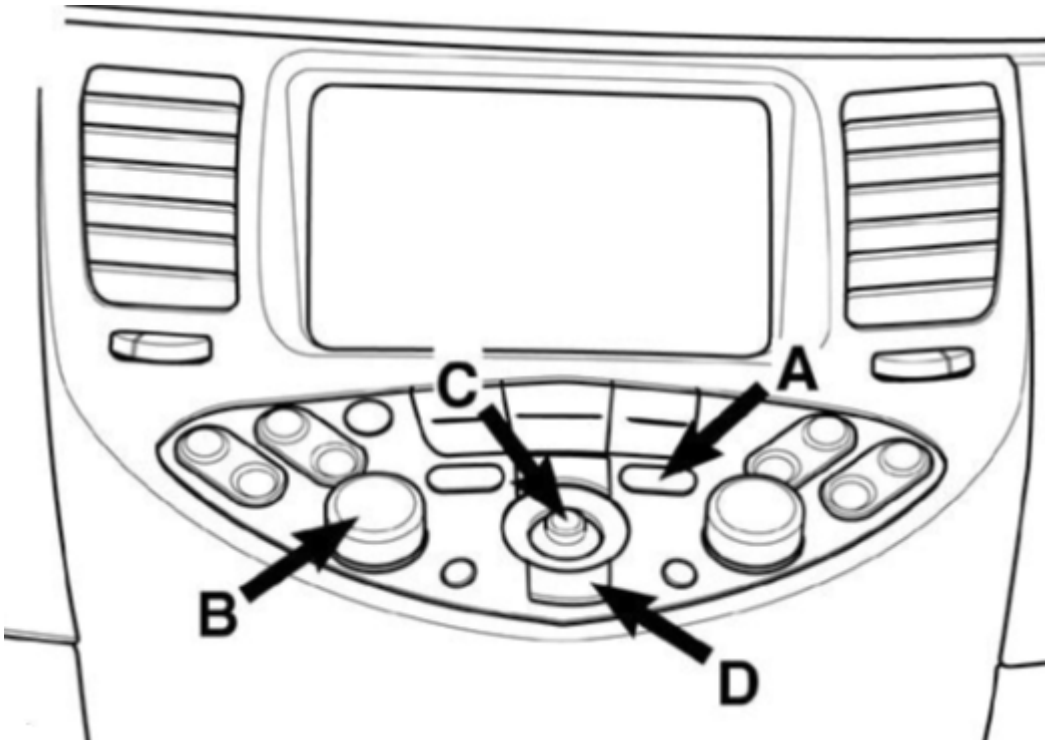
NOTE: If the oil will be changed before the warning light is ON, carry out the oil service procedures.

The symbol  will be displayed for 5 seconds to confirm the setting.

Attention! Check always for any DTC before carrying out this procedure, because sometimes the oil service warning light will remain ON if there are DTC in the memory.

End.

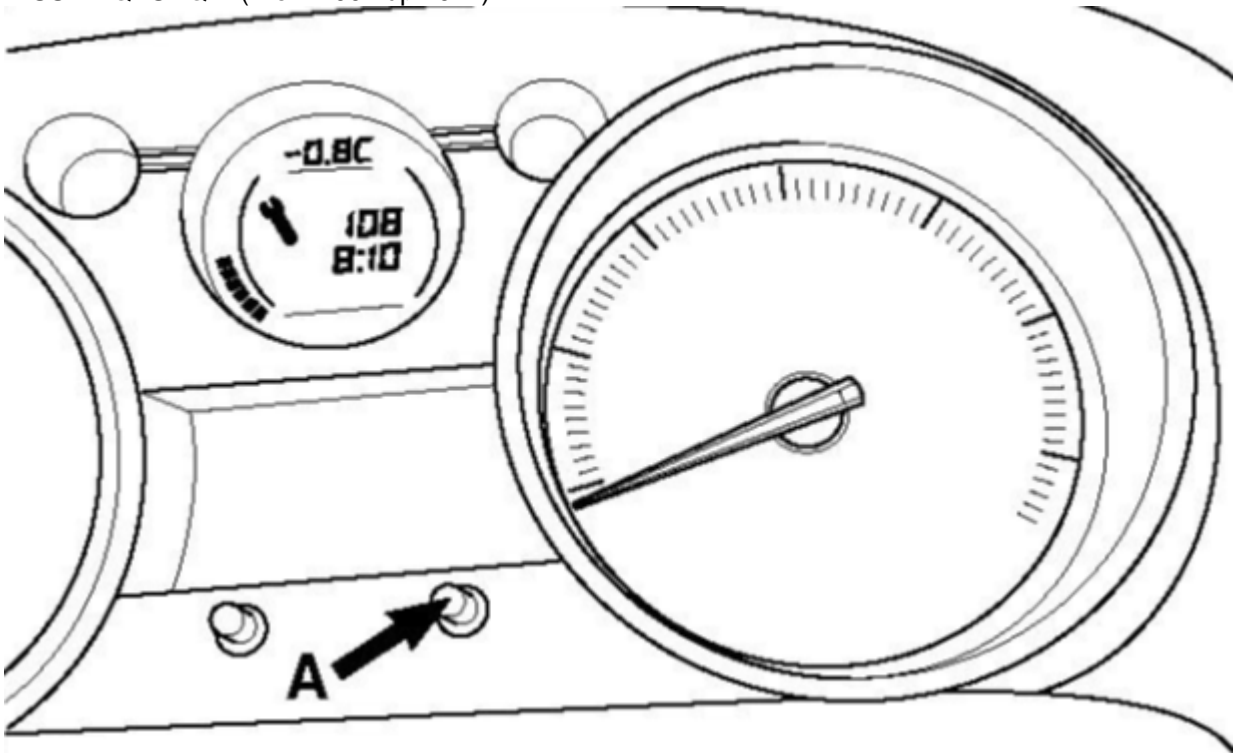
NISSAN PRIMERA (From 2002 up to 2007)



- Switch the ignition ON.
- Ensure that the radio is OFF.
- Press and hold the button Info [A].
- Rotate the knob of the volume [B] until will be displayed the self-diagnosis menu.
- Release the button [A].
- Using the command switch [C], select Confirm/Correction and press Enter pushing the command switch [C] down-sided.
- Select Maintenance and press Enter.
- Select setting and press Enter.
- Press the button Back [D] 3 times to return to the main menu.
- Switch OFF the ignition.

End.

NISSAN QASHQAI (From 2007 up 2011)



Switch the ignition to ON.

Within 5 seconds: Press and hold the button [A] until the symbol



will flash.

Release the button [A].

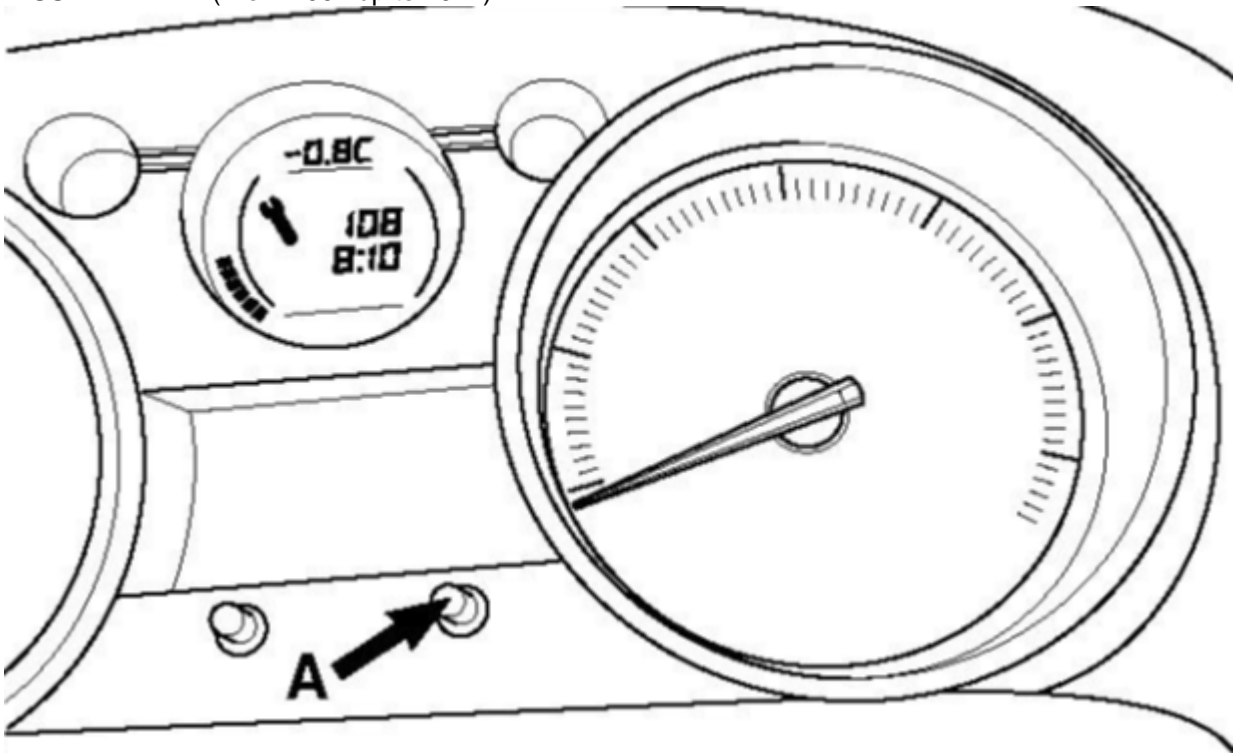
Press once the button [A].

Wait until the the display will return to the oil level.


Switch OFF the ignition.


End.

NISSAN XTRAIL (From 2007 up to 2011)



Switch the ignition ON.

On the display will appear the symbol  and the distance to the next oil service.
Within 5 seconds: Press and hold the button [A] for at least 3 seconds.

The symbol  and the distance to the next oil service will flash.
Press the button [A].
Wait until the display will return to the oil level.
Switch OFF the ignition.

End.